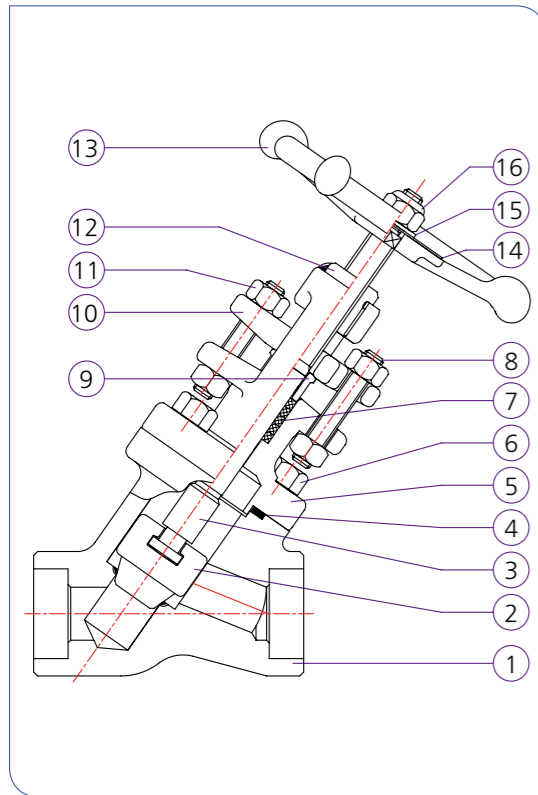


# Typical Configurations for Y-Globe Valves

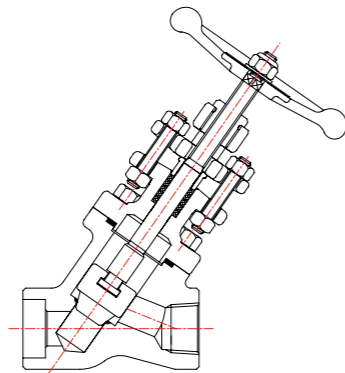
(Design Standard: API 602, BS 5352, ISO 15761, ASME B16.34)

## Assembly for General Y-Globe Value



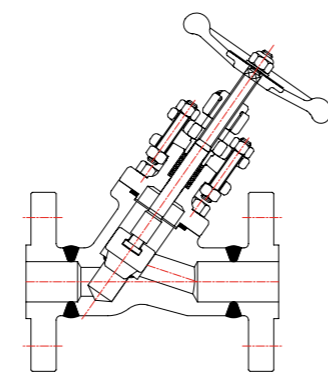
- 1. Body
- 2. Disc
- 3. Stem
- 4. Gasket
- 5. Bonnet
- 6. Bonnet Bolt
- 7. Packing
- 8. Gland Bolt
- 9. Gland
- 10. Gland Flange
- 11. Gland Nut
- 12. Yoke Bush
- 13. Handwheel
- 14. Nameplate
- 15. H/W Washer
- 16. H/W Nut

## SW, NPT Ends



Socket Weld(SW) : ASME B16.11  
Thread(NPT) : ASME B1.20.1

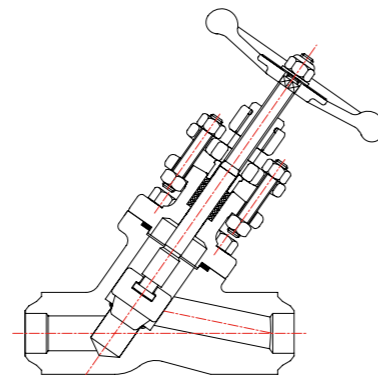
## Flanged Ends



(Full Penetration Butt Welded Flange)

Flange(FLG) : ASME B16.5  
Face-to-Face : ASME B16.10

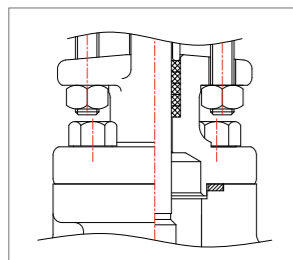
## Long Pattern BW Ends



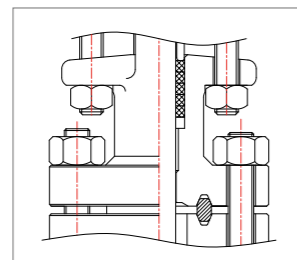
Butt Weld(BW) : ASME B16.25  
End-to-End : ASME B16.10

## Typical Configurations for Bonnet Joint

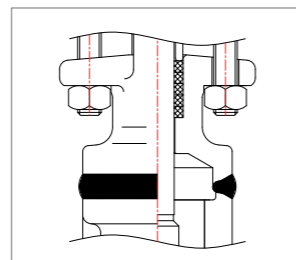
### Bolted Bonnet (BB) (Spiral Wound Type)



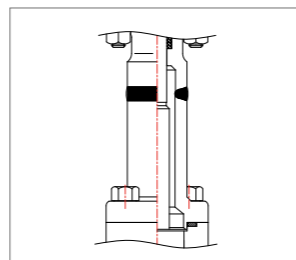
### Bolted Bonnet (BB) (Ring Type Joint)



### Welded Bonnet (WB) (Full Penetration Welding)



### Extended Bonnet (EB) (Fabricated Welding)



※ Extended Bonnet is applied to Cryogenic(SS) & Low temperature(LF2) services.

# Value Dimensions - Y-Globe

## SW, NPT

Unit : mm, unless otherwise specified.

Symbol	Bonnet Joint	Class	RP	1/4	3/8,1/2	3/4	1	1-1/2	2	
			FP		1/4	3/8,1/2	3/4	1	1-1/2	2
L (End-to-end)	All Type	800		76	76	90	102	124	152	200
		1500		90	90	102	124	152	200	
W (Handwheel)	All Type	800		82	82	102	129	156	156	200
		1500		102	102	129	156	200	240	
P (Port Dia.)	All Type	800		6.4	9.5	12.7	17.5	29.5	36	45.0
		1500		6.4	9.5	12.7	16.0	25.0	27.0	
H (Height)	BB,WB	800		163	163	169	194	244	275	352
		1500		169	169	194	244	275	352	
	EB (LowT.)	800		257	257	277	303	392	472	
		1500		263	263	303	365	443	527	
	EB (Cryo.)	800		385	385	391	417	479	530	
		1500		391	391	417	479	530	585	
Wt (kg)	BB,WB	800		1.8	1.8	2.1	3.0	6.7	9.7	16.0
		1500		2.2	2.2	3.6	6.0	10.6	14.3	
	EB (LowT.)	800		2.4	2.4	2.9	3.8	8.2	12.2	
		1500		2.9	2.9	4.4	7.0	12.5	17.9	
	EB (Cryo.)	800		3.3	3.3	3.9	4.8	9.2	13	
		1500		4.0	4.0	5.4	8.3	13.8	19.3	

※ Abbreviations

BB: Bolted Bonnet / WB: Welded Bonnet / EB: Extended Bonnet / Cryo.: Cryogenic Service / Low T.: Low Temperature Service  
RP: Reduced Port / FP: Full Port

## BW(Long), FLG

Unit : mm, unless otherwise specified.

Symbol	Bonnet Joint	Class	1/2 (DN15)	3/4 (DN20)	1 (DN25)	1-1/2 (DN40)	2 (DN50)
			L (End-to-end)	All Type	150	140	152
W (Handwheel)	All Type	300	152	178	203	229	267
		600	165	190	216	241	292
P (Port Dia.)	All Type	1500	216	229	254	305	368
		150-600	82	102	129	156	156
H (Height)	BB,WB	150-600	9.0	12.7	17.0	28.5	36.0
		1500	9.5	12.7	16.0	25.0	27.0
	EB (LowT.)	150-600	163	163	169	194	244
		1500	169	169	194	244	275
	EB (Cryo.)	150-600	257	257	277	303	392
		1500	263	263	303	365	443
Wt (kg) BW(Long) /FLG	BB,WB	150	2.2/3.1	2.7/3.4	3.8/5.1	8.3/10.4	12.1/13.6
		300	2.3/3.4	2.9/3.7	4.2/5.4	8.9/10.7	13.3/14.0
	EB (LowT.)	600	2.4/3.9	3.0/4.9	4.4/6.8	9.1/13.6	14.0/17.4
		1500	3.4/5.0	5.2/7.2	9.1/11.6	16.0/19.8	21.7/29.2
	EB (Cryo.)	150	2.8/3.7	3.5/4.2	4.6/5.9	9.8/11.9	14.6/16.1
		300	2.9/4.0	3.7/4.5	5.0/6.2	10.4/12.2	15.8/16.5
EB (Cryo.)	600	3.0/4.5	3.8/5.7	5.2/7.6	10.6/15.1	16.5/19.9	
	1500	4.1/7.0	6.0/9.7	10.1/15.8	17.9/27.1	25.3/40.2	
EB (Cryo.)	150	3.7/4.6	4.5/5.2	5.6/6.9	10.8/12.9	15.4/16.9	
	300	3.8/4.9	4.7/5.5	6.0/7.2	11.4/13.2	16.6/17.3	
EB (Cryo.)	600	3.9/5.4	4.8/6.7	6.2/8.6	11.6/16.1	17.3/20.7	
	1500	5.2/8.1	7.0/10.7	11.4/17.1	19.2/28.4	26.7/41.6	

※ ASME Class 900 is same as Class 1500.